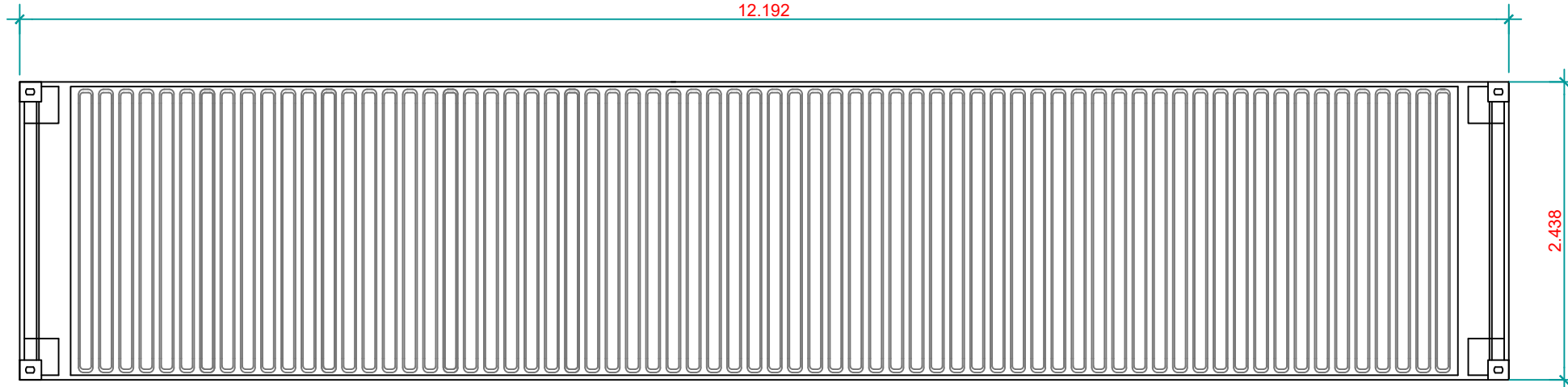
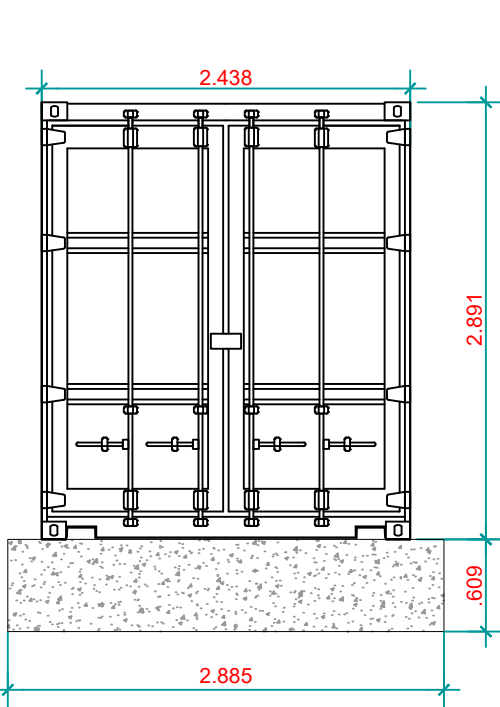


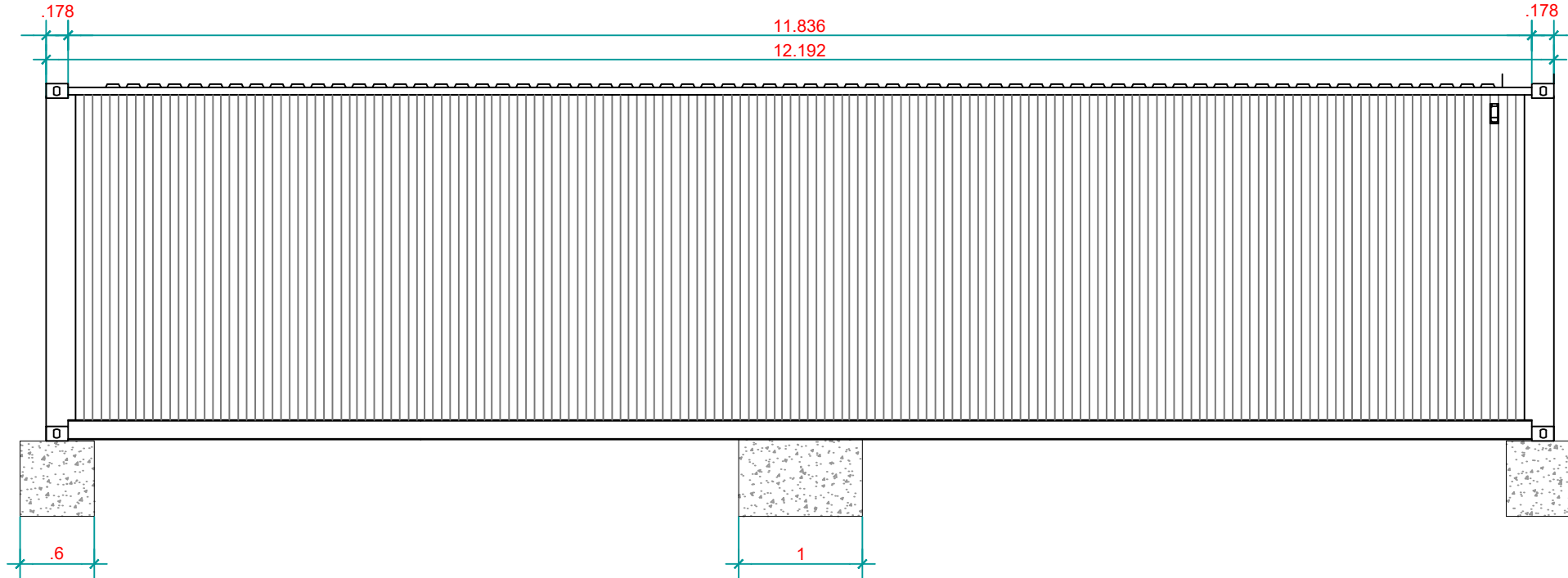
Rear Elevation



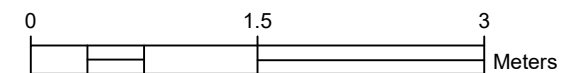
Roof Plan



Front Elevation



Side Elevation



GENERAL NOTES

1) ALL DIMENSIONS ARE IN METERS UNLESS SPECIFIED.

LEGEND

REFERENCE DRAWINGS

No.	DRAWING TITLE	DRAWING No.	
R	DATE	DESCRIPTION OF REVISION	REMARKS

PROJECT NAME:  
**HILFIELD  
SOLAR PV AND BATTERY**

OWNER'S ENGINEER:

GENERAL CONTRACTOR:

**blueleaf energy**  
80 Anson Road, #09-01,  
Fuji Xerox Towers, Singapore 079907.  
TEL: +65 6849 5540, FAX: +65 6849 5559.  
www.blueleafenergy.com

THIS DRAWING IS PROPERTY OF BLUELEAF ENERGY AND MAY NOT BE COPIED (IN WHOLE OR IN PART) USED FOR MANUFACTURING OR DISCLOSED WITHOUT PRIOR CONSENT OF BLUELEAF ENERGY ASIA.

DRAWN BY	DATE	CHECKED BY	DATE	APPROVED BY	DATE	SIGN	TITLE
	26-10-2022						Inverter/Transformer Stations

DRAWING No.: HF4.0	SHEET SIZE A3	SHEET 1 OF 1	SCALE 1:50	REV 03
--------------------	---------------	--------------	------------	--------